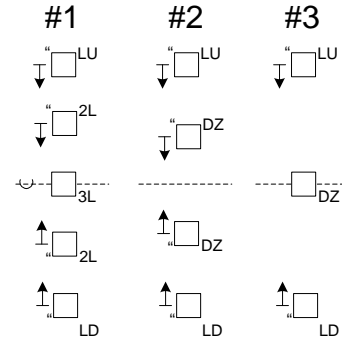


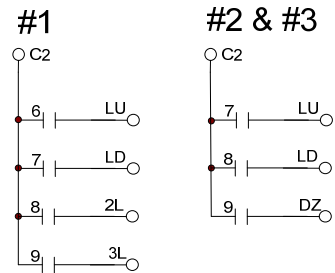
Replacing existing vane (targets) and leveling unit (s)

Number of landings: _____
 Existing # of rows (lanes): _____
 Existing # of vanes per floor: _____
 Length of existing leveling vane: _____”
 Length of existing slowdown vanes: _____”
 Number of magnetic (opto) units: _____
 Slowdown unit contacts: _____ n.o. _____ n.c.
 Slowdown wire marking: _____
 Slowdown wire marking common: _____
 Leveling unit contacts: _____ n.o. _____ n.c.
 Leveling wire marking: _____
 Leveling wire marking common: _____
 Any units wired in a series circuit? _____
 Make a sketch below of layout of units, or remark examples as desired.

Examples of leveling units:



In example #1: 2L is wired in series
 In example #2: DZ is wired in series



Examples of slowdown units:

