

Note:

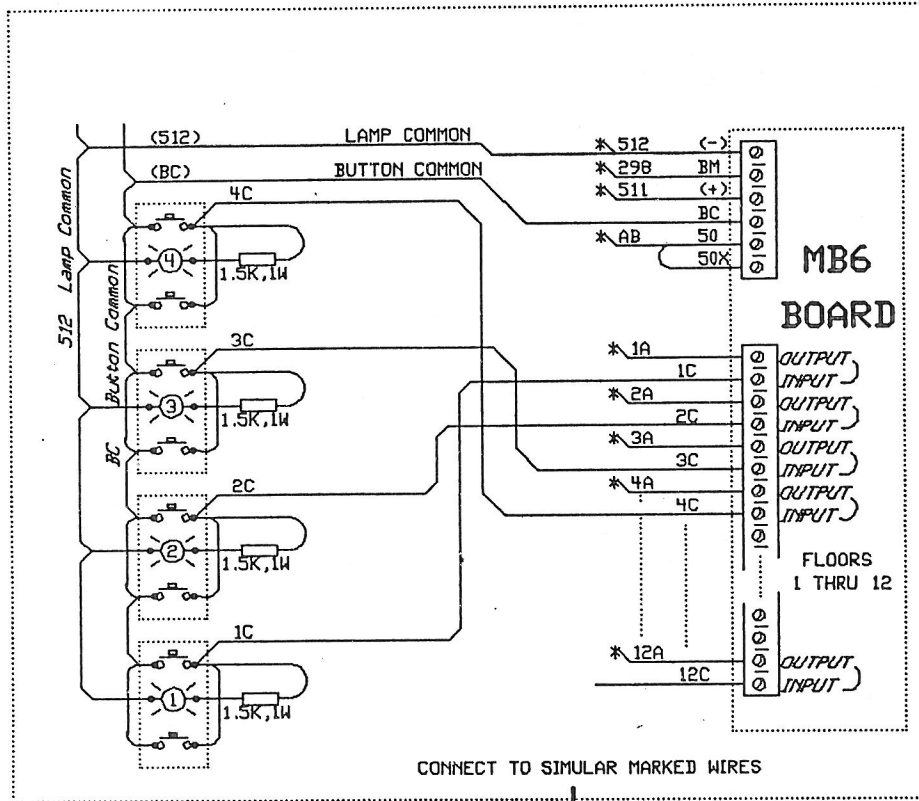
- * Resistor 1.5k,1W to 2k,1W (depending upon line voltage) should be added in series with each bulb to insure good bulb life.
- All solid lines are part of the MB6 board.
- The BM relay (Button Magnet relay) is connected to the (+), (S11) wire for Westinghouse.

FEB 10 1998
 MB6.PCB REPLACEMENT FOR MAGNETIC
 TYPE BUTTON CAR STATION

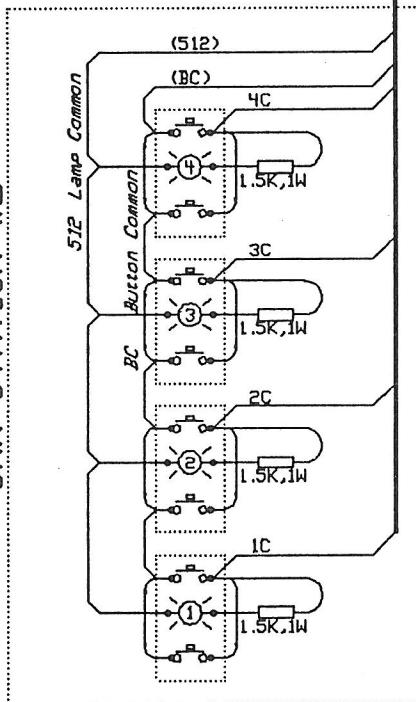
rev: 2.98

CLADDAGH ELECTRONICS, LTD.	SHEET 1 of 2
10-49 47th ROAD, L.I.C..NY 11101	TYPE: WESTINGHOUSE
718-784-0571	Ver 1.2r0
	file:MB6_W1.SCH
	DATE: 2/90 REV11.95

CAR STATION #1



CAR STATION #2



NOTE:

- ... FOR MORE THAN 12 FLOORS, USE A 2ND MB6 BOARD FOR 13 TO 24 FLOORS AND CONNECT SIMILAR TO THE 1st BOARD. ETC.
- ... * - REUSE EXISTING WECO WIRES
- ... FOR GOOD BULB LIFE, INSERT 1.5K RESISTOR IN SERIES WITH BULB PER BUTTON, AS SHOWN.
- ... USE 120V BULBS.

CONTROLLER NOTE:

- ... SUPPRESSION MUST BE ADDED ACROSS THE FOLLOWING RELAYS: "50", "301", "38", "38R" & "30B", IF THEY ARE PRESENT.

FEB 10 1998

MB6.PCB REPLACEMENT FOR MAGNETIC TYPE BUTTON CAR STATION

rev: 2.98

CLADDAGH ELECTRONICS, LTD. 10-49 47th ROAD, L.I.C., NY 11101 718-784-0571	SHEET 2 of 2
	TYPE: WESTINGHOUSE
	Ver 1.2r0 file:MB6_W2.SCH DATE: 2/90