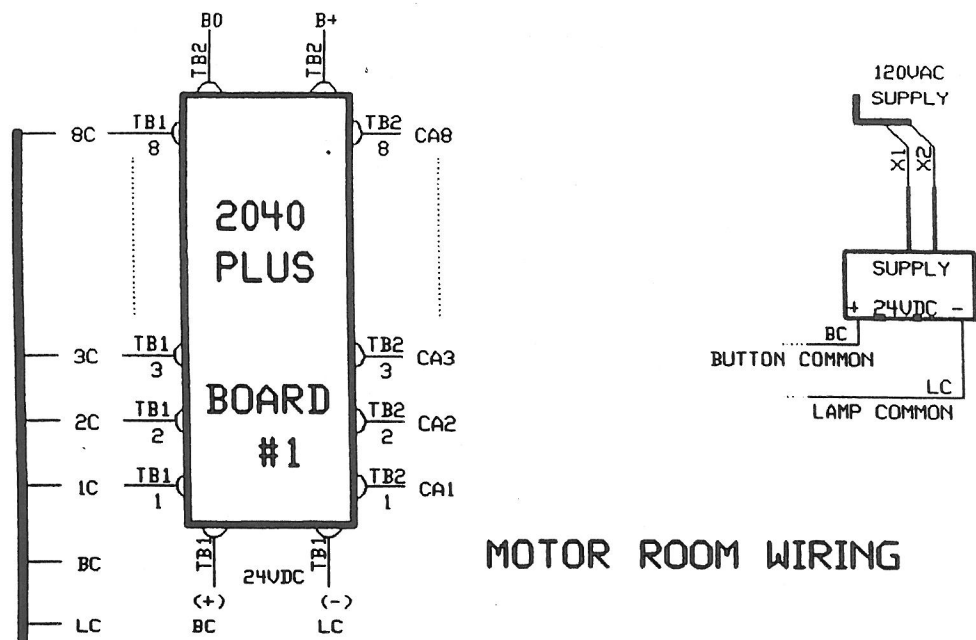


Note: use "Hall Call Reassignment" as a reference

Suggested method to modernized existing Otis hall touch-buttons to new group controller

JAN 11 2007

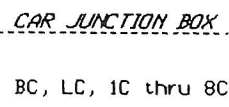
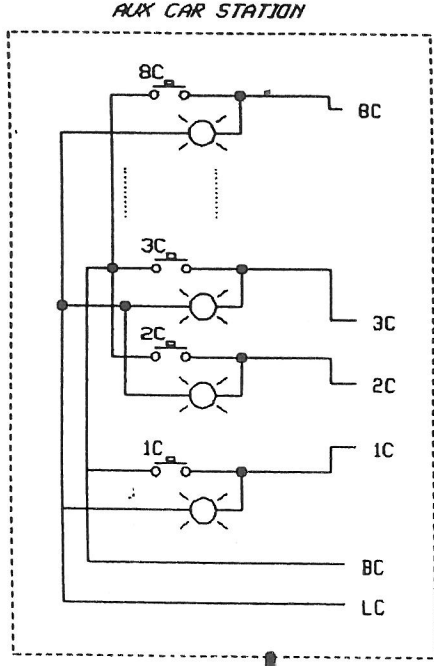
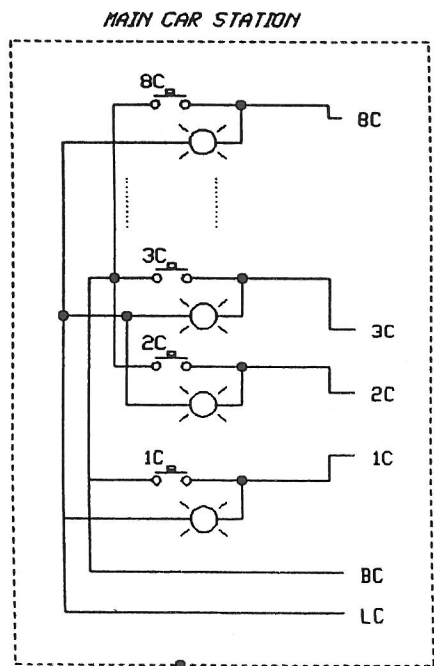
file: HallOtisWire CLADDAGH CONTROLS LTD	Description: Otis Hall Call Reassignment	Date: 11Jan'07 Page: 1
---	---	---------------------------



MOTOR ROOM WIRING

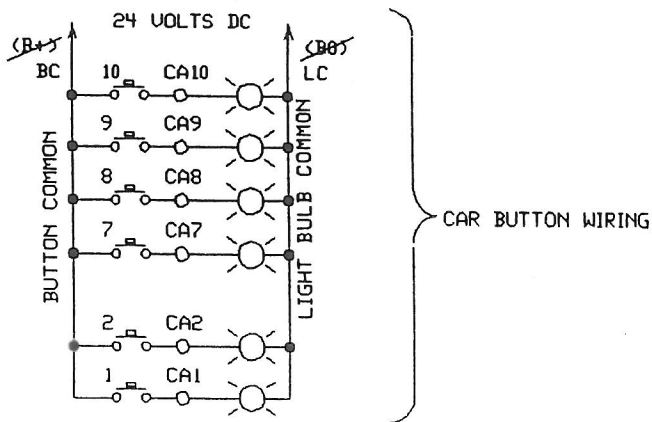
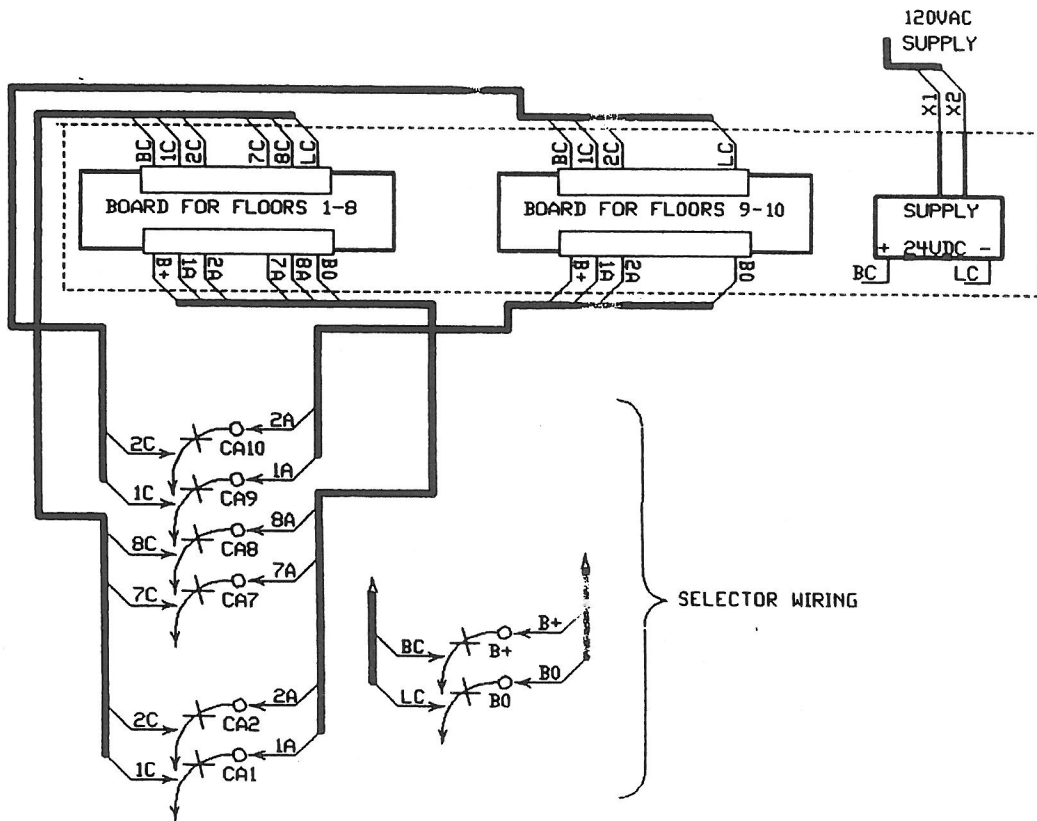
REUSE EXISTING (B+) WIRE and USE AS (BC) BUTTON COMMON
 REUSE EXISTING (B0) WIRE and USE AS (LC) LAMP COMMON
 REUSE EXISTING (CA1, CA2, etc.) and USE AS (1C, 2C, etc.) BUTTON WIRES

WIRES FROM CAR TO MOTOR ROOM/SELECTOR



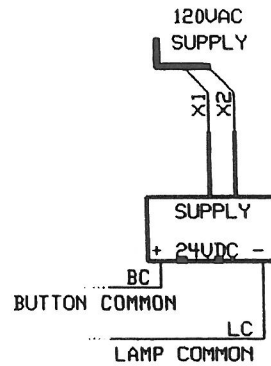
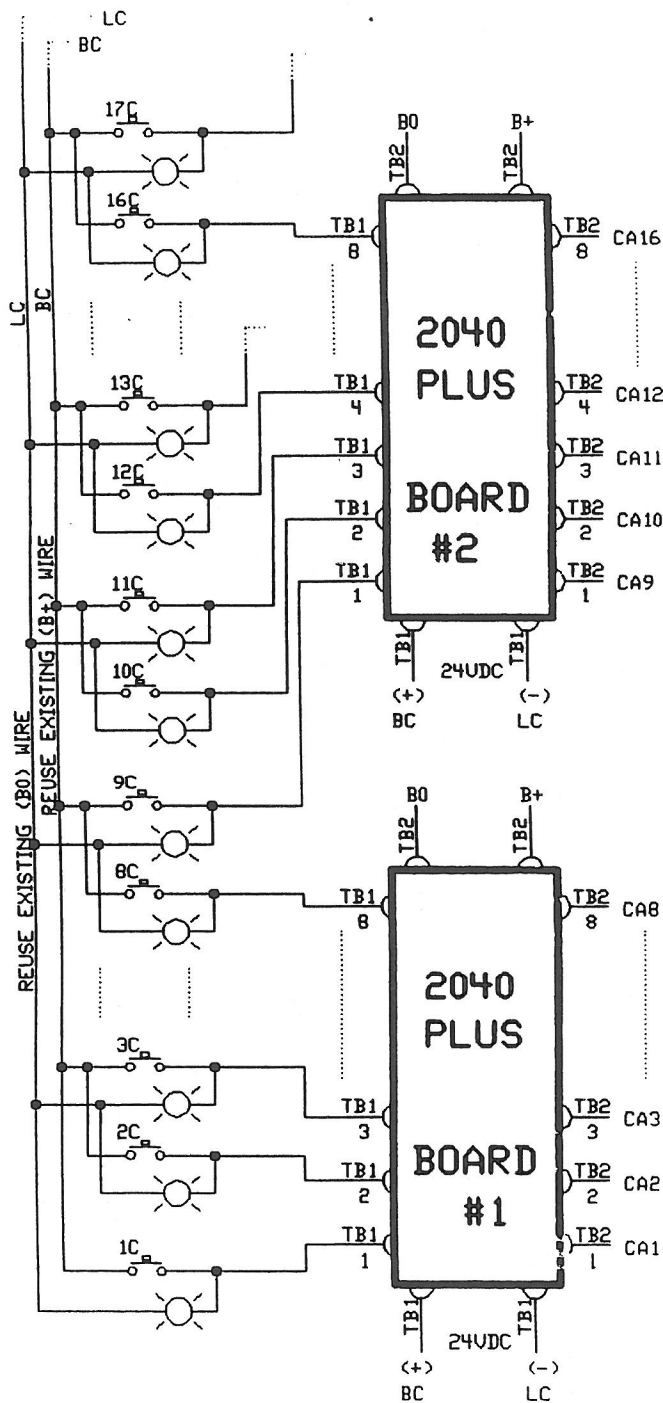
CLADDAGH ELECTRONICS, LTD.
CAR BUTTON WIRING for TWO CAR STATIONS
2040PLUS TOUCH BUTTON REPLACEMENT

MOUNT THE 2040PLUS UNIT ON THE SELECTOR. THE WIRES FROM THE CAR PUSHBUTTONS MUST BE DISCONNECTED FROM THE SELECTOR AND REROUTED TO THE 2040PLUS UNIT AS PER DRAWING BELOW.



CLADDAGH ELECTRONICS, LTD.

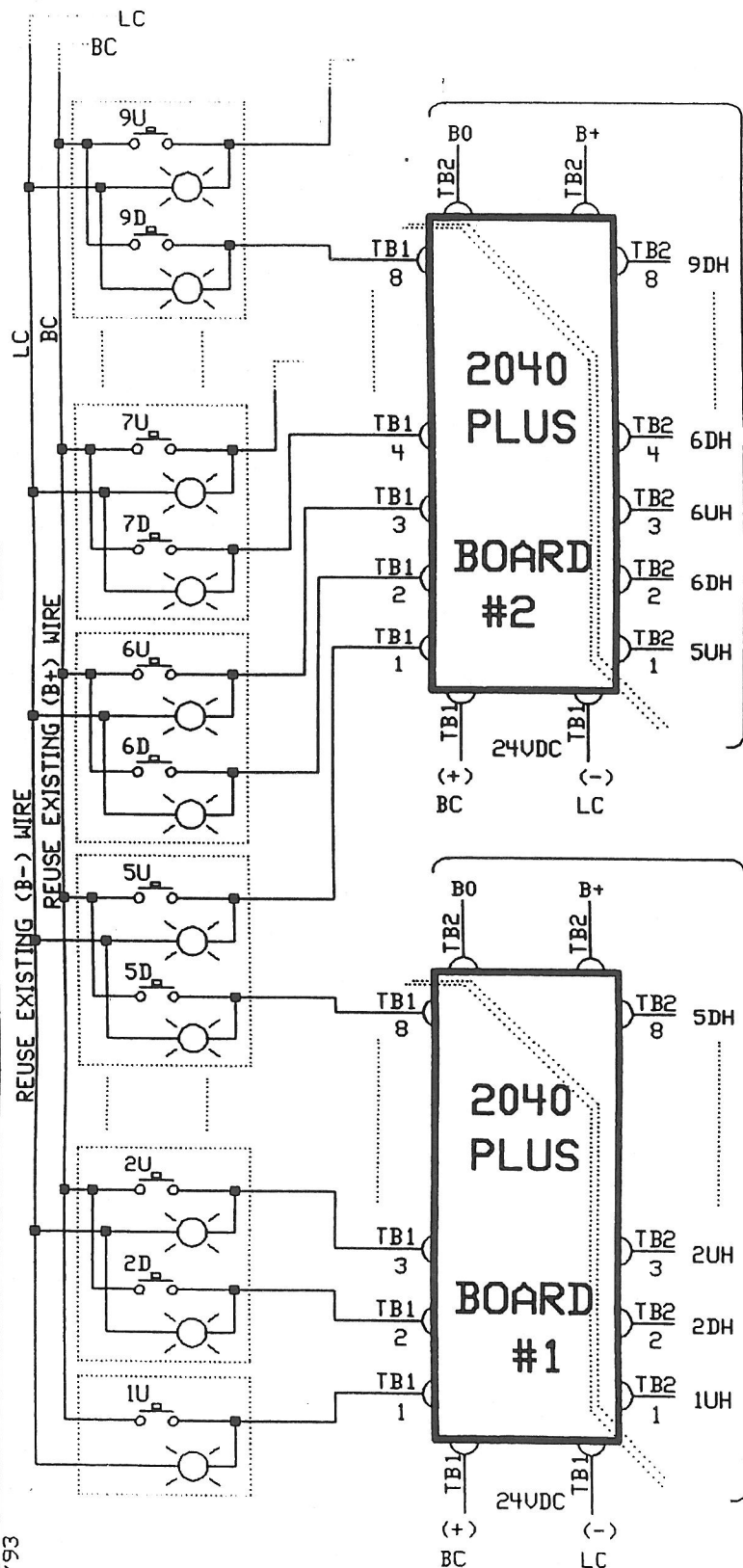
2040PLUS TOUCH BUTTON REPLACEMENT



NOTE A
 ... REMOVE THE EXISTING BUTTON WIRES, AT THE SELECTOR, WHICH COME FROM THE CAR STATION. THESE WIRES (B0,B+,CA1,CA2 etc.) WILL BE REUSED FOR THE NEW PUSHBUTTON CAR STATION.
 ... CONNECT NEW WIRES FROM THE 2040-PLUS BOARDS (TB2) TO THE EXISTING OTIS STUDS. (B0,B+,CA1,CA2 etc.)

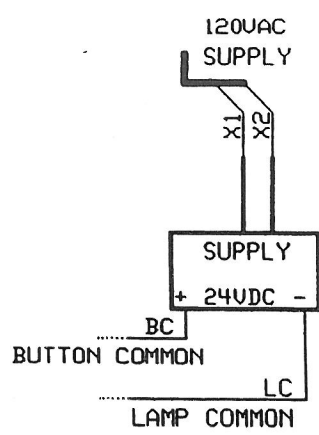
NOTE B
 ... REUSE EXISTING CAR BUTTON WIRES TO REWIRE THE NEW CAR PUSH BUTTONS.
 ... THE NEW BUTTON WIRES AND THE POWER SUPPLY WIRES GO TO TERMINAL BLOCK "TB1".
 ... ANY 24V OR 28V BULB CAN BE USED. THE 24V POWER SUPPLY IS SIZED UPON THE NUMBER OF BULBS PLUS 15 MILLI AMPS PER CALL.
 ... IF 2040+ IS BEING USED FOR CAR CALLS:
 INSTALL BLACK JUMPERS ON 2040+ BOARD
 ... IF 2040+ IS BEING USED FOR HALL CALLS:
 REMOVE BLACK JUMPERS ON 2040+ BOARD

CLADDAGH ELECTRONICS, LTD.
 CAR BUTTON WIRING
 2040PLUS TOUCH BUTTON REPLACEMENT



EXISTING TOUCH BUTTON WIRES IN MOTOR ROOM

EXISTING TOUCH BUTTON WIRES IN MOTOR ROOM



- NOTE
- 1.. REUSE EXISTING HALL TOUCH BUTTON WIRES TO REWIRE THE NEW HALL PUSH BUTTONS.
 - 2.. INCASE OF A DOUBLE HALL BUTTON RISER, ONE (1) RISER CANBE DISCONNECTED COMPLETELY AND REWIRED WITH NO INTERRUPTION OF SERVICE.
 - 3.. INCASE OF A SINGLE HALL BUTTON RISER, THE RISER WILL HAVE TO BE DISCONNECTED COMPLETELY AND REWIRED. IT IS SUGGESTED THAT THIS BE DONE THE WEEKEND.
 - 4.. THE NEW BUTTON WIRES AND THE POWER SUPPLY WIRES GO TO TERMINAL BLOCK "TB1".
 - 5.. ANY 24V OR 28V BULB CAN BE USED. THE 24V POWER SUPPLY IS SIZED UPON THE NUMBER OF BULBS PLUS 15 MILLI AMPS PER CALL.
 - 6.. WHEN USING THE 2040+ BOARD FOR HALL CALLS, REMOVE BLACK JUMPERS FROM BOARD.

file 2040P1.SCH 3/93
REV 4.93, 8.95

CLADDAGH ELECTRONICS,LTD.
HALL BUTTON WIRING
2040PLUS TOUCH BUTTON REPLACEMENT